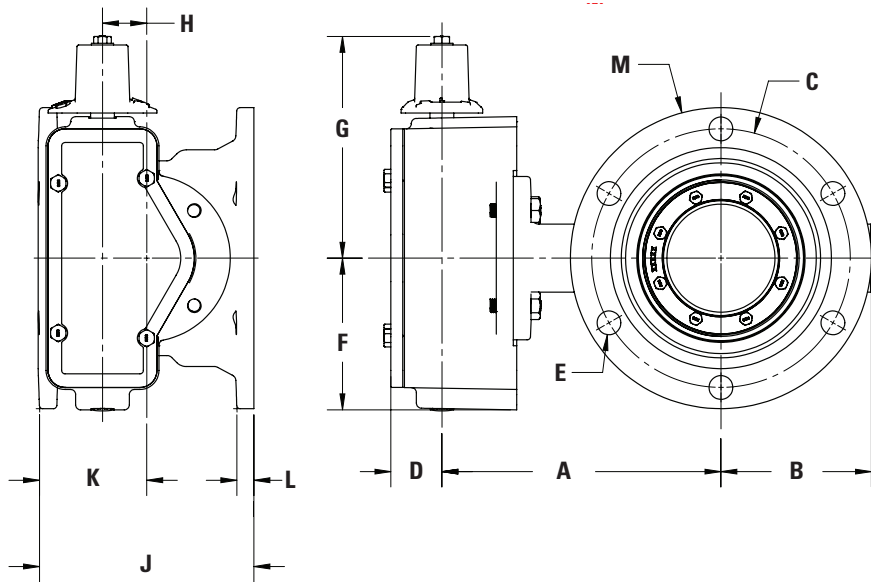
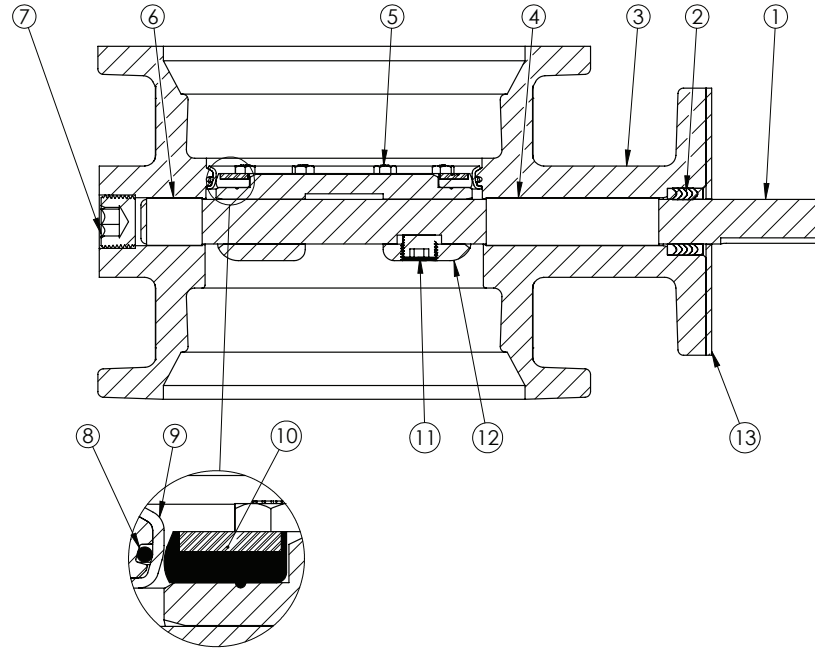


**AWWA C504  
BUTTERFLY VALVE  
MECHANICAL JOINT ENDS- CL150  
WITH BURIED SERVICE  
SIZES 4"-12"**

DRAWING NO.- **BD16-M11-M1110-11110** REV - 7/6/21

DRAWN BY - **CM** 6" valve shown here



- N** - Number of turns
  - P** - Number of bolt holes
  - Q** - Diameter of bolts
1. Flow may be in either direction
  2. Valve shaft will meet or exceed AWWA C504 requirements
  3. Reference AWWA C504 for flanges and drilling (ANSI 125)
  4. N turns to close
  5. (P) Q bolts on Mechanical Joint
  6. Rated for 150 PSI working pressure

SIZE	DESCRIPTION	MATERIAL
1	Operator Shaft	304 Stainless Steel, ASTM A-276
2	V-Ring Packing	EPDM & Buna-N
3	Butterfly Valve Body	Ductile Iron, ASTM A-536
4	Upper Journal Bearing	Nylatron
5	Vane Ring Hexhead Cap Screws	18-8 Stainless Steel
6	Lower Journal Bearing	Nylatron
7	Body End Plug	Steel
8	Body O-ring	EPDM
9	Body Seat Ring	316 Stainless Steel
10	Vane Seat Ring	EPDM w/ Stainless Steel Insert
11	Vane Shaft Torque Plug	18-8 Stainless Steel
12	Vane	Ductile Iron, ASTM A-536
13	Seal Plate*	Steel

SIZE	A	B	C	D	E	F	G	H	J	K	L	M	N	P	Q	OP. FLG	WEIGHT
4"	9-7/16"	4-13/16"	7-1/2"	1-7/8"	7/8"	5-9/16"	8-1/8"	1-5/8"	7-1/2"	3-15/16"	5/8"	9-1/16"	29	4	5/8"	FA12	100 lbs.
6"	10-1/4"	5-1/2"	9-1/2"	1-7/8"	7/8"	5-9/16"	8-1/8"	1-5/8"	7-7/8"	3-15/16"	5/8"	11-1/16"	29	6	3/4"	FA12	135 lbs.
8"	13"	6-3/4"	11-3/4"	1-7/8"	7/8"	5-9/16"	8-1/8"	1-5/8"	8"	4"	5/8"	13-5/16"	29	6	3/4"	FA12	185 lbs.
10"	13-1/4"	8-1/4"	14-1/4"	1-7/8"	7/8"	5-9/16"	8-1/8"	1-5/8"	9-1/4"	4-5/8"	11/16"	15-5/8"	29	8	3/4"	FA12	285 lbs.
12"	14-1/8"	9-3/16"	16-1/4"	1-7/8"	7/8"	5-9/16"	8-1/8"	1-5/8"	9-1/4"	4-5/8"	3/4"	17-7/8"	29	8	3/4"	FA12	335 lbs.

\* Seal Plate must be ordered separately with all barestem valves.