

# AC-31 ALUMINUM CANAL GATE

SIZES 12" - 84"

- A SUPERBLY ENGINEERED GATE EXPRESSLY SUITABLE FOR CORROSION-RESISTANT, RUST PROOF DEMANDS.
- RUGGED, HEAVY DUTY CONSTRUCTION - YET LIGHTWEIGHT AND EASY TO INSTALL.
- ALUMINUM GATE ELIMINATES ELECTROLYSIS USUALLY FOUND IN CAST IRON GATE TO ALUMINUM PIPE CONNECTIONS.
- MINIMAL LEAKAGE - TIGHT CLOSURE
- SPECIFY:
  - AC-31sb... for corrugated metal pipe mounting
  - AC-31-4... for PVC pipe
  - AC-31f... for wall mounting
  - AC-31ff... for flange or thimble mounting
  - AC-31-6... for HDPE pipe

## FEATURES:

SEATING HEADS TO 30 FEET

UNSEATING HEADS TO 20 FEET

### TAPERED SLIDE:

Provides wedge-type seating and low friction opening.

### NEOPRENE J-BULB SEAL:

Virtual leakproof closure. Easily replaceable.

### STAINLESS STEEL STEM & HARDWARE

### BRONZE LIFT NUT

### GUIDE INSERTS:

Reduced slide friction. Ultra high molecular weight (UHMW) polyethylene, dovetailed.

Back View  
Showing Spigot  
and Neoprene Seal



AC-31sb  
FRONT VIEW



AC-31 Flatback  
w/Torque Tube  
(Rising Stem  
Extension)

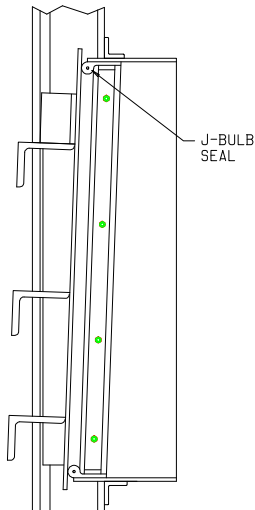
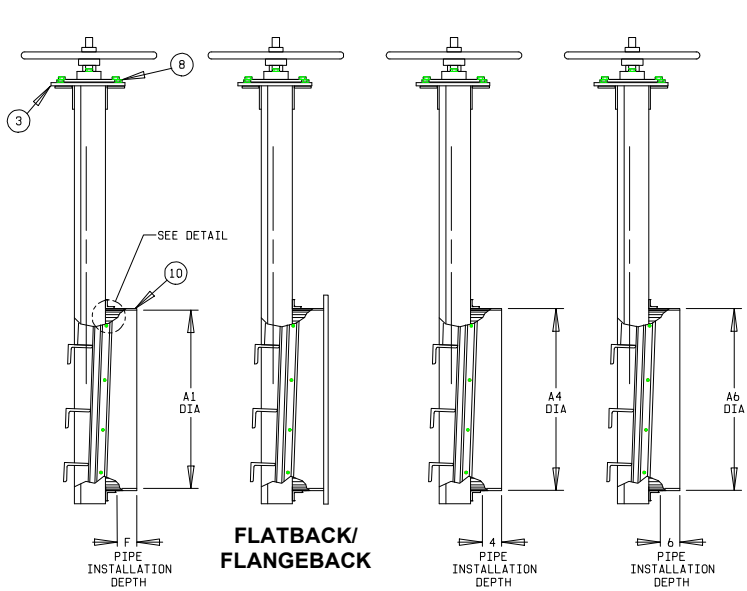
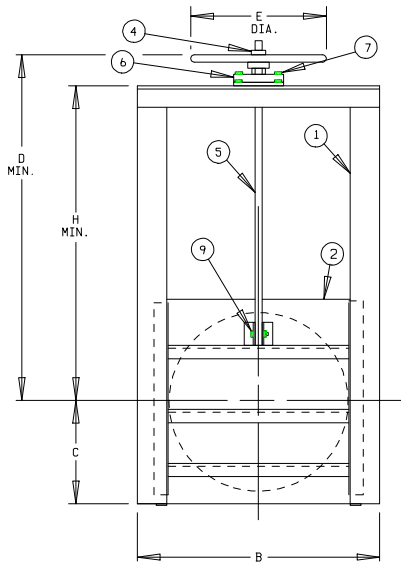
AC-31-6  
(shown with HDPE  
pipe attached)



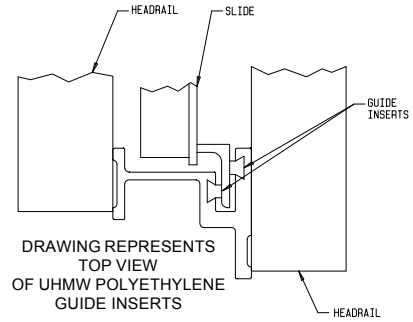
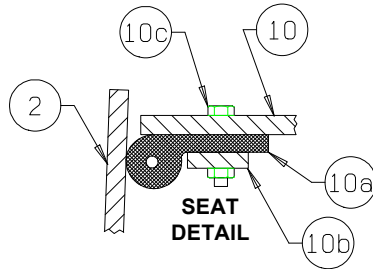
### Recommended Maximum Seating Heads\*

8" - 30" ..... 30 Feet  
 36" - 42" .... 20 Feet  
 48" - 60" .... 15 Feet  
 66" - 84" .... 10 Feet

# AC-31 ALUMINUM CANAL GATE



DRAWING REPRESENTS SIDE VIEW OF TAPERED SLIDE AGAINST J-BULB SEATING



DRAWING REPRESENTS TOP VIEW OF UHMW POLYETHYLENE GUIDE INSERTS

PARTS LIST		
No.	Name	Qty.
1	Frame (Aluminum, extruded)	1
2	Cover (Aluminum plate)	1
3	Top Plate (Aluminum)	1
4	Handwheel	1
5	Stem (Stainless steel, threaded)	1
6	Lift Housing and Nut	1
7	Lift Housing Hardware (Stainless steel)	2
8	Top Plate Hardware (Stainless steel)	4
9	Stem to Cover Attaching Hardware (Stainless steel)	1
10	Aluminum Spigot	1
10a	J-Bulb Seat Ring (Neoprene Rubber)	1
10b	Retainer Ring (Aluminum)	1
10c	Mounting Hardware (Stainless steel)	A/R

AC-31 ALUMINUM CANAL GATE									
DIMENSION IN INCHES									
GATE SIZE (DIA)	A1 I.D.	A4 O.D.	A6 O.D.	B	C	D*	E**	F	H
12	13 <sup>1</sup> / <sub>8</sub>	11 <sup>7</sup> / <sub>8</sub>	11 <sup>15</sup> / <sub>16</sub>	21	8	26	10	4 <sup>1</sup> / <sub>4</sub>	22
15	16 <sup>1</sup> / <sub>8</sub>	14 <sup>3</sup> / <sub>4</sub>	14 <sup>7</sup> / <sub>8</sub>	25	9 <sup>1</sup> / <sub>2</sub>	32 <sup>1</sup> / <sub>2</sub>	10	4 <sup>1</sup> / <sub>4</sub>	28 <sup>1</sup> / <sub>2</sub>
18	19 <sup>1</sup> / <sub>8</sub>	17 <sup>3</sup> / <sub>4</sub>	17 <sup>7</sup> / <sub>8</sub>	28	11	37 <sup>1</sup> / <sub>2</sub>	12	4 <sup>1</sup> / <sub>4</sub>	33 <sup>1</sup> / <sub>2</sub>
24	25 <sup>1</sup> / <sub>8</sub>		24	34	14	46 <sup>1</sup> / <sub>2</sub>	12	4 <sup>1</sup> / <sub>4</sub>	42 <sup>1</sup> / <sub>2</sub>
30	31 <sup>1</sup> / <sub>8</sub>		30	40	18	58 <sup>1</sup> / <sub>2</sub>	15	4 <sup>1</sup> / <sub>4</sub>	54 <sup>1</sup> / <sub>2</sub>
36	37 <sup>1</sup> / <sub>8</sub>			46	21	67 <sup>1</sup> / <sub>2</sub>	15	4 <sup>1</sup> / <sub>4</sub>	63 <sup>1</sup> / <sub>2</sub>
42	43 <sup>1</sup> / <sub>8</sub>								72 <sup>1</sup> / <sub>2</sub>
48	49 <sup>1</sup> / <sub>8</sub>			57 <sup>7</sup> / <sub>8</sub>	28 <sup>1</sup> / <sub>2</sub>	93*	15R**	5	87
54	55 <sup>1</sup> / <sub>8</sub>			63 <sup>7</sup> / <sub>8</sub>	31 <sup>1</sup> / <sub>2</sub>	101*	15R**	6	95
60	61 <sup>1</sup> / <sub>8</sub>			69 <sup>7</sup> / <sub>8</sub>	34 <sup>1</sup> / <sub>2</sub>	114 <sup>1</sup> / <sub>4</sub> *	15R**	6	108
66	67 <sup>1</sup> / <sub>8</sub>			75 <sup>7</sup> / <sub>8</sub>	37 <sup>1</sup> / <sub>2</sub>	123 <sup>1</sup> / <sub>4</sub> *	15R**	6	117
72	73 <sup>1</sup> / <sub>8</sub>			81 <sup>7</sup> / <sub>8</sub>	40 <sup>1</sup> / <sub>2</sub>	132 <sup>1</sup> / <sub>4</sub> *	15R**	6	126
84	85 <sup>1</sup> / <sub>8</sub>			94 <sup>1</sup> / <sub>8</sub>	46 <sup>1</sup> / <sub>2</sub>	152 <sup>3</sup> / <sub>4</sub> *	15R**	7	146 <sup>1</sup> / <sub>2</sub>

\* Dimension from gate centerline to centerline of lift input shaft  
 \*\* 15" Handcrank