

# SWING CHECK VALVE WITH LEVER AND WEIGHT WITH AIR CUSHION SIZES 2" - 12"

DRAWING NO. - 54241\_LW\_H REV - 03

DRAWN BY - BES

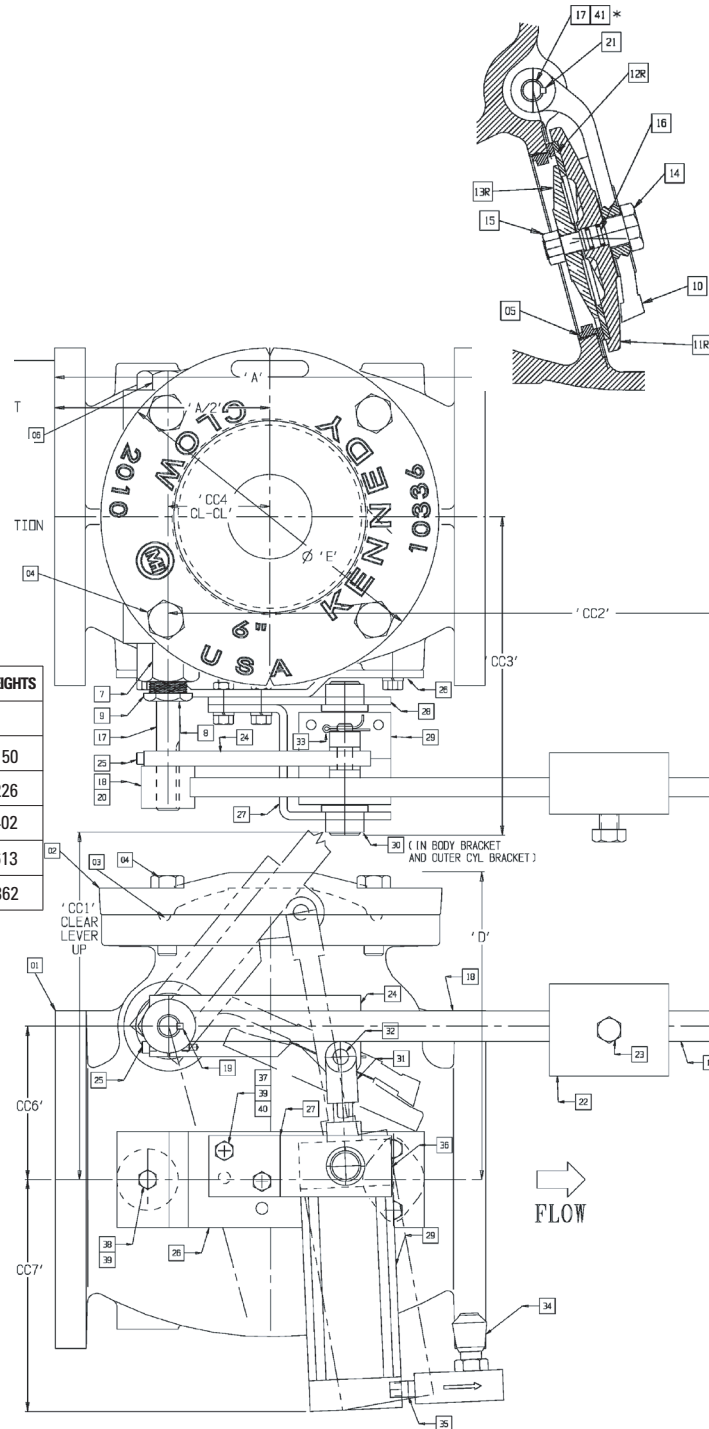
No.	DATE	ECN	REVISION
1	03/09	---	Released for use with 1106 valve. Similar to 51454
2	04/18	3098	Added gland nuts. Removed stuff box, gland, packing, washers.
3	07/20	2811	Reinstated stuffing box, etc.

SIZE	DIMENSIONS									WEIGHTS
	A	D	E	CC1	CC2	CC3	CC4	CC6	CC7	
4	11.50	8.69	9.00	13.77	12.00	9.56	2.44	3.75	8.89	150
6	14.00	10.51	11.00	19.28	18.00	10.38	3.31	5.00	7.52	226
8	19.50	12.56	13.50	22.24	18.00	11.75	4.88	6.25	6.40	402
10	24.50	14.07	16.75	23.62	18.00	13.68	6.19	7.12	11.46	613
12	27.50	16.12	19.00	24.57	18.00	14.94	8.38	8.19	10.40	862

Dimensions are approximate- for Checking Clearances only.  
 Allow clearance 2 sides to remove side plug and access hinge pin.

**NOTES:**

- 6" valve shown
- Valve shown with cushion arrangement on right hand size (facing inlet). Left hand version available.
- Valve opening is sudden. Install guards or otherwise assure that persons are well clear.
- Dimensions are approximate and for layout purposes only.
- Configuration for vertical installation different than shown- see specific drawing.
- Standard - Resilient Seated. Special - Metal Seated  
**Note:** By their nature, metal seated valves are likely to sound louder than resilient.



PARTS LIST			
PART No.	PART	MATERIAL	ASTM DESIG.
1	Body	Gray Iron	A126 B
2	Cover	Gray Iron	A126 B
3	Cover / Body O-ring	Buna-N	---
4	Cover Bolts	18-8 Stainless	F593, F594
5	Seat Ring	Bronze	C89833 or C87850
6	Side Plug	Bronze	C69300
7	Stuffing Box	Bronze	C69300
8	Packing (not shown)	Non-Asbestos	by GARLOCK
9	Gland Follower	Bronze	C69300
10	Hinge (Keyed)	Ductile Iron	---
11R	Disc Holder	Iron	---
12R	Disc, Resilient	Rubber, Buna-N	---
13R	Disc Plate	Bronze	C89833 or C87850
14	Disc Bolt	Brass	C69300
15	Nut, Disc Bolt	18-8 Stainless	---
16	O-ring, Disc Bolt	Buna-N	---
17	Hinge Pin (H.T.)	431 Stainless Steel	---
18	Lever	Steel	---
19	Key for Lever	Stainless Steel	---
20	Set Screw for Lever	Steel, Plated	A307
21	Key for Hinge	Stainless Steel	---
22	Weight	Gray Iron	A126 B
23	Set Screw for Weight	Steel, Plated	A307
24	Cylinder Arm	Steel	---
25	Set Screw for Arm	Steel, Plated	A307
26	Body Bracket	Steel	---
27	Outer Cylinder Bracket	Steel	---
28	Inner Cylinder Bracket	Steel	---
29	Cylinder	Per Catalogue	Ref. to BOM
30	Bushing(s)	Bronze	---
31	Rod End	Iron / Steel	---
32	Pin	Steel	---
33	Cotter Pin	Stainless	---
34	Control Valve	Per Catalogue	---
35	Nipple	Brass	---
36	Muffler	Per Catalogue	---
37	Body Bracket Bolts	Steel, Plated	Grade 5
38	Cylinder Bracket Bolts	Steel, Plated	Grade 5
39	Lock Washer (HiCollar)	Steel, Plated	---
40	Nuts (Jam)	Steel, Plated	---
41	Washers	Stainless Steel	---