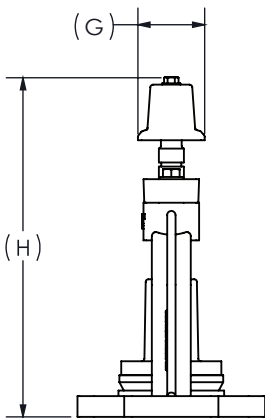
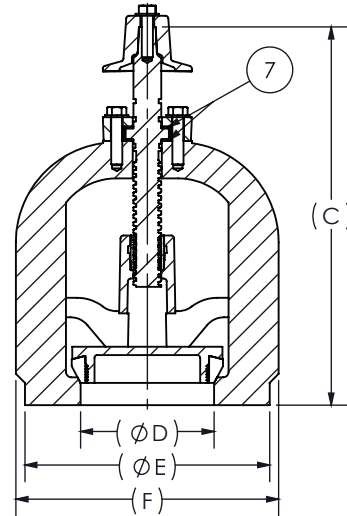
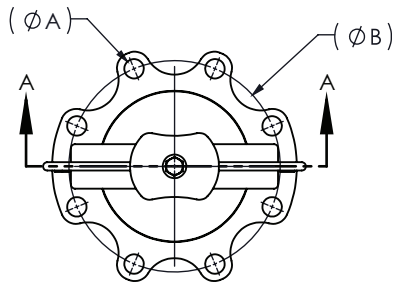
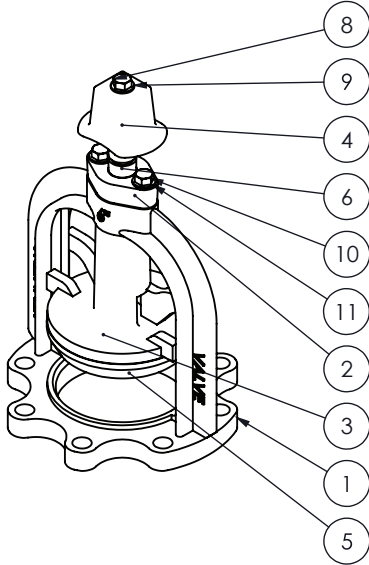


MUD VALVE ASSEMBLY
NRS STYLE DUCTILE IRON/STAINLESS STEEL
SIZES 3"-12"

MPIK-6036-1

ITEM NO.	QTY.	DESCRIPTION	MATERIAL	ASTM
1	1	FRAME	DUCTILE IRON/STAINLESS STEEL	A536 70-50-5/A276
2	1	STEM CAP	DUCTILE IRON/STAINLESS STEEL	A536 70-50-5/A276
3	1	PLUG	DUCTILE IRON/STAINLESS STEEL	A536 70-50-5/A276
4	1	STEM OP NUT	DUCTILE IRON	A536 70-50-5
5	1	MJ GASKET	BUNA-N	D2000
6	1	STEM	STAINLESS STEEL	A276
7	2	THRUST BEARING	DELRIN/CELCON/ACETAL	D6778/D6100
8	1	BOLT	STAINLESS STEEL	A276
9	1	WASHER	STAINLESS STEEL	A276
10	2	BOLT	STAINLESS STEEL	A276
11	2	WASHER	STAINLESS STEEL	A276



MUD VALVE SIZE	UNIT WEIGHT (LBS)	
	DI MATERIAL	SS MATERIAL
4"	29	32
6"	42	46
8"	59	63
10"	96	102
12"	131	137

	3"	4"	6"	8"	10"	12"
A	3/4" - 4x	3/4" - 8x	7/8" - 8x	7/8" - 8x	1"-12x	1"-12x
B	6.50	7.50	9.50	11.75	14.25	17.00
C	14.31	14.31	17.00	19.31	22.81	24.69
D	4.00	4.00	6.00	8.00	10.00	12.00
E	9.00	9.00	11.00	13.25	16.00	18.75
F	9.31	9.31	11.81	13.63	16.50	19.25
G	3.00	3.00	3.00	3.00	3.00	3.00
H	15.27	15.27	15.24	20.23	23.90	25.78