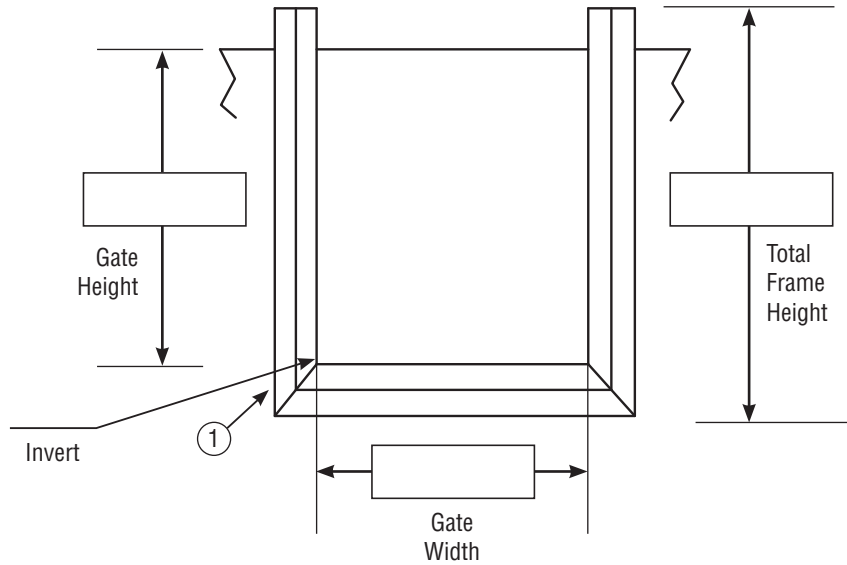


Gate Quantity _____

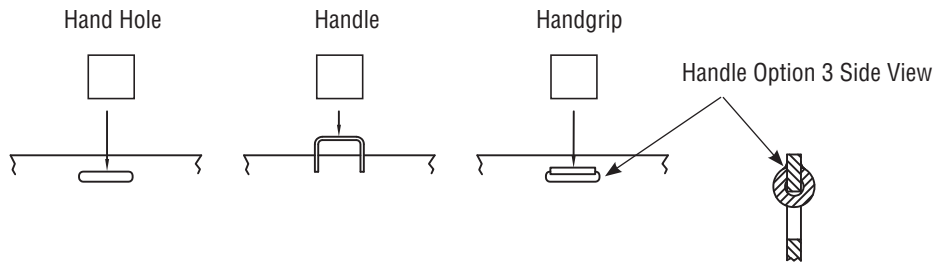
1. Select Material Type:

- Aluminum B-209 AL. 6061-T6
- Stainless Steel Type 304
- Stainless Steel 316

2. Identify Maximum Water Level from Invert _____ Feet

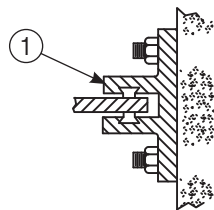
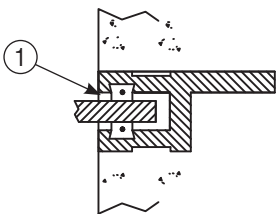


3. Select Handle Type:



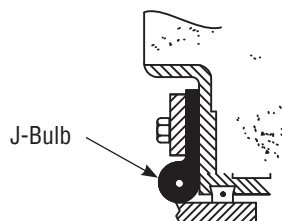
4. Select Mounting Type:

- Wall Mounted / Embedded (aluminum only)
- Channel Mounted (aluminum only)



Special J-Bulb Seal Option: (aluminum only)

- Yes
- No



For Stainless Steel Gates: Are UHMW Seats Needed ?

- Yes
- No

