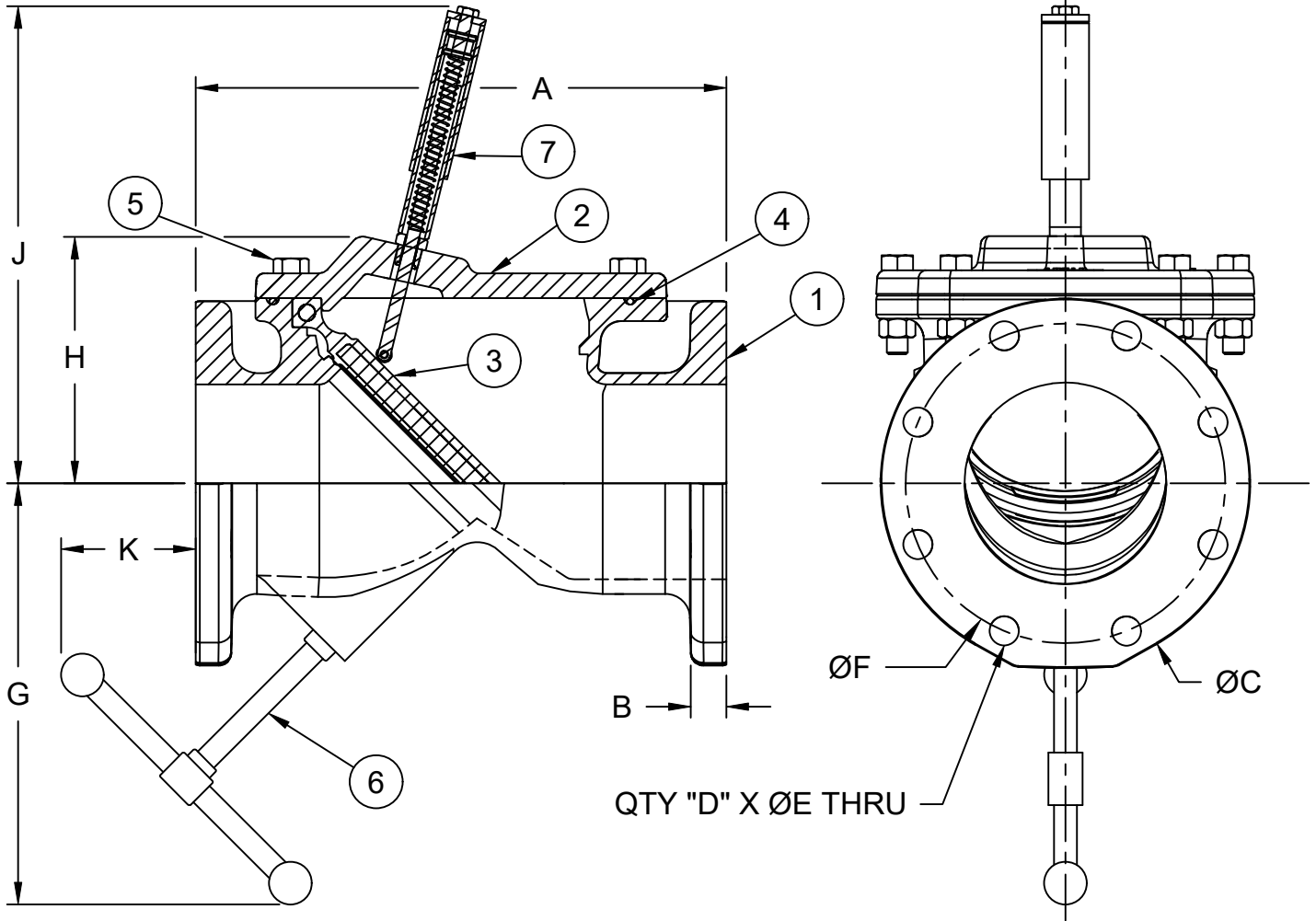


BILL OF MATERIAL

No.	PART	MATERIAL
1	Body	Ductile Iron - ASTM A536, GR 65-45-12
2	Cover Plate	Ductile Iron - ASTM A536, GR 65-45-12
3	Flapper	EPDM w/ Ductile Iron Insert
4	O-Ring	Nitrile Rubber (Buna-N)
5	Hardware	Stainless Steel - ASTM F593, 18-8
6	Jack Screw	Stainless Steel
7	Position Indicator	Stainless Steel



DIMENSIONS (Inches)

SIZE	A	B	C	D	E	F	G	H	J	K
3	13.00	1.00	9.00	4	SEE NOTE	6.00	15.00	5.37	12.21	7.79
4	13.00	1.00	9.00	8	0.75	7.50	15.00	5.37	12.21	7.79
6	16.00	1.06	11.00	8	0.88	9.50	21.00	7.45	14.28	13.17
8	19.50	1.19	13.50	8	0.88	11.75	24.00	8.77	15.60	12.56
10	24.50	1.25	16.00	12	1.00	14.25	28.00	10.20	17.04	15.81
12	27.50	1.28	19.00	12	1.00	17.00	29.00	11.60	18.45	15.81

NOTE:

1. 3" VALVE FLANGES DRILLED & TAPPED TO 5/8"-11 UNC-2B
2. COLD WORKING PRESSURE - 250PSI
3. HYDROSTATIC TEST PRESSURE - 500PSI

DESCRIPTION:

3"-12" 125# Flanged Ken-Flex Check Valve w/ Jack Screw & Position Indicator (AIS Compliant)

DATE:

09/02/24

DRAWING:

KF-SD0008-A



McWane Plant & Industrial
1201 Vanderbilt Road
Birmingham, AL 35234

