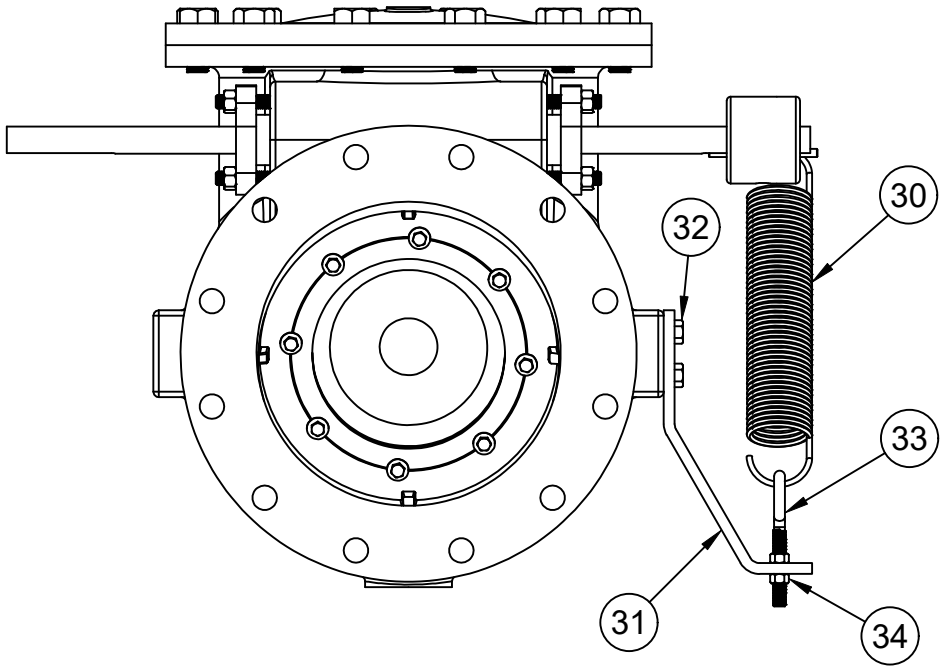
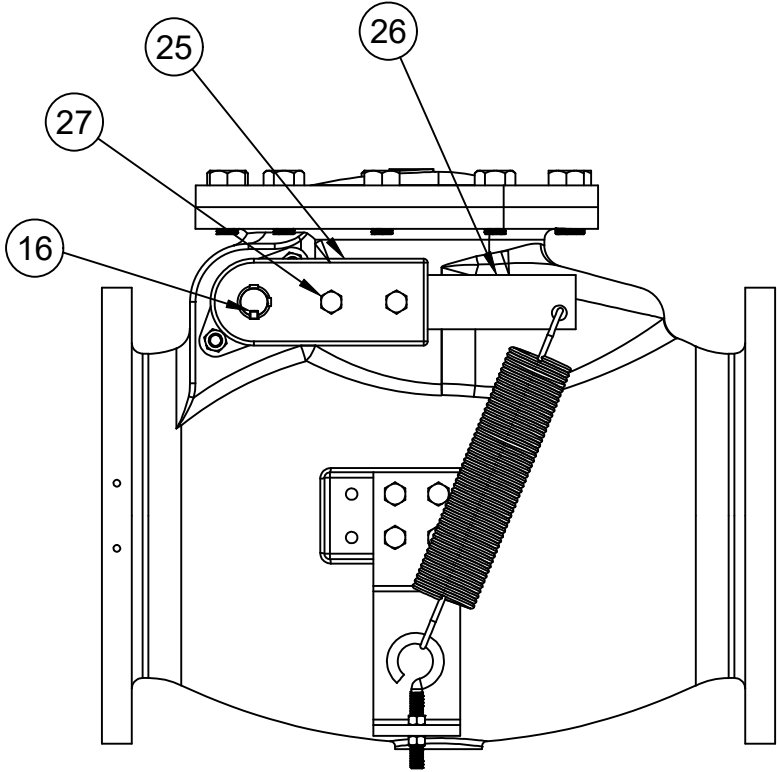
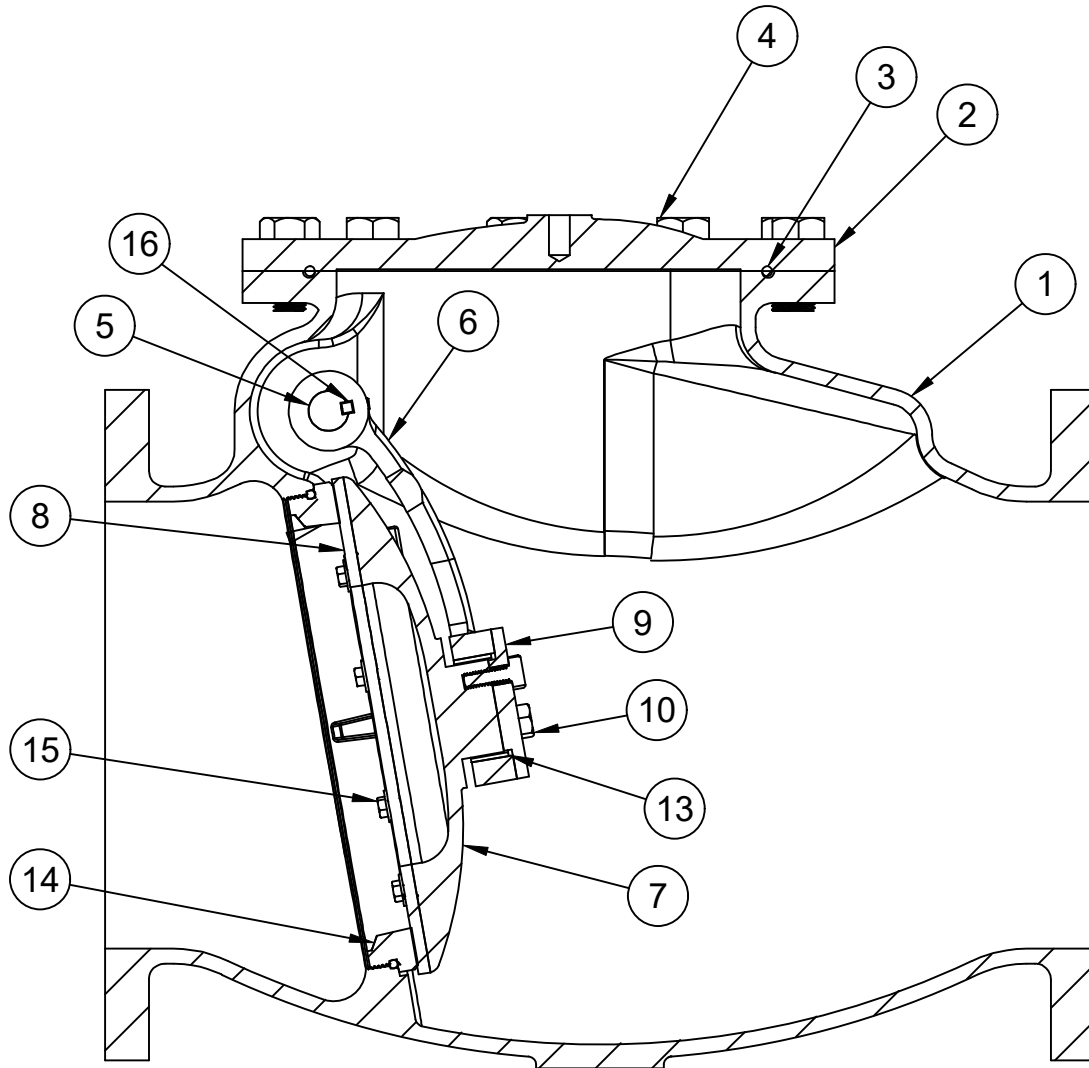


| No. | PART | MATERIAL |
|-----|--------------------|---------------------------------------|
| 16 | Key | Stainless Steel |
| 25 | Lever Arm | Ductile Iron, ASTM A536 - GR 65-45-12 |
| 26 | Lever Arm Bar | Steel, AISI 1018/1020 |
| 27 | Lever Arm Hardware | Stainless Steel, T316 |
| 30 | Spring | Steel, ASTM A228/A313 |
| 31 | Bracket | Steel |
| 32 | Bracket Hardware | Stainless Steel, T316 |
| 33 | Eye Bolt | Stainless Steel, T316 |
| 34 | Eye Bolt Hex Nut | Stainless Steel, T316 |

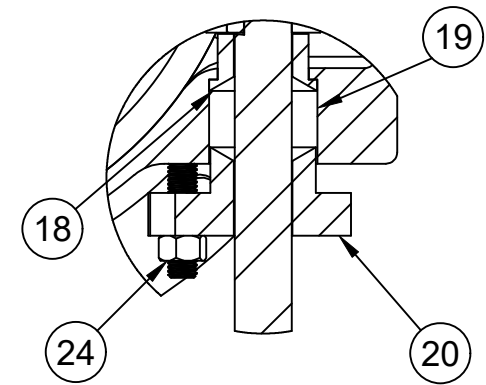


| | | |
|--|----------------------------|--------------------------------|
| DESCRIPTION: 14"-36" AWWA C508 Swing Check Valve Materials of Construction - Lever & Spring (3306) | DATE: 01/15/2025 | DRAWING: SW-MC0007-A |
|--|----------------------------|--------------------------------|

MPI MCWANE PLANT & INDUSTRIAL
 McWane Plant & Industrial
 1201 Vanderbilt Road
 Birmingham, AL 35234



| No. | PART | MATERIAL |
|-----|-------------------------|---------------------------------------|
| 1 | Body | Ductile Iron, ASTM A536 - GR 70-50-05 |
| 2 | Cover | Ductile Iron, ASTM A536 - GR 70-50-05 |
| 3 | Cover O-ring | NBR (Buna-N) |
| 4 | Cover Bolts | Stainless Steel, T316 |
| 5 | Hinge Pin | Stainless Steel, T630 |
| 6 | Hinge | Ductile Iron, ASTM A536 - GR 70-50-05 |
| 7 | Disc | Ductile Iron, ASTM A536 - GR 70-50-05 |
| 8 | Disc Seat | NBR (Buna-N) Encapsulated Steel |
| 9 | Disc Plate | Stainless Steel, T304 |
| 10 | Disc Bolt | Stainless Steel, T304 |
| 13 | Disc Bushing | Brass, ASTM B21, C46400 |
| 14 | Body Seat Ring | Bronze, ASTM B584 C89833 / C89836 |
| 15 | Seat Retaining Hardware | Stainless Steel, T304 |
| 16 | Key | Stainless Steel |
| 18 | Stuffing Box Bushing | Bronze, ASTM B505 C87850 |
| 19 | Packing | PTFE |
| 20 | Stuffing Box Gland | Ductile Iron, ASTM A536 - GR 65-45-12 |
| 24 | Gland Hardware | Stainless Steel, T316 |



STUFFING BOX DETAILS

| | | |
|--|----------------------------|--------------------------------|
| DESCRIPTION: 14"-36" AWWA C508 Swing Check Valve Materials of Construction - Plain (3306) | DATE: 01/15/2025 | DRAWING: SW-MC0005-A |
|--|----------------------------|--------------------------------|