

UNIVERSAL HYDRANT

- Fits any Brand "Alfalpa" Type Valve
- Long Lasting Aluminum Construction
- Quickly Installed
- Portable - Light Weight
- Keeps System Closed
- Compatible with Surge Valves
- Side Hooks, Center Tension, or Combination of Both

USES

The Waterman cast aluminum hydrant is designed for use with aluminum surface pipe and similar installations. It fits on top of Waterman Red Top or Sunshine Alfalfa Valves and most other brands of Alfalfa Type Valves, and allows opening of the valve for flow into a gated pipe or through outlet for directional flow.

FEATURES

Features include solid, long-lasting bronze operating stems on Center Tension (C.T.) models and solid aluminum threaded stems on Outside Clamp (O.C.) models.

Hydrant bodies are available with "Pierce Type" quick coupler outlets cast or welded onto the body. Some sizes are available with double outlets. All hydrants have self aligning guides, an extra wide resilient bottom gasket, double O-ring seals, grease fitting for stem lubrication and an easy grip carry handle.

The Center Tension (C.T.) type has a cast bronze lift nut. The Outside Clamp (O.C.) type utilizes stainless hooks (J-bolts) with a manganese bronze tension nut.

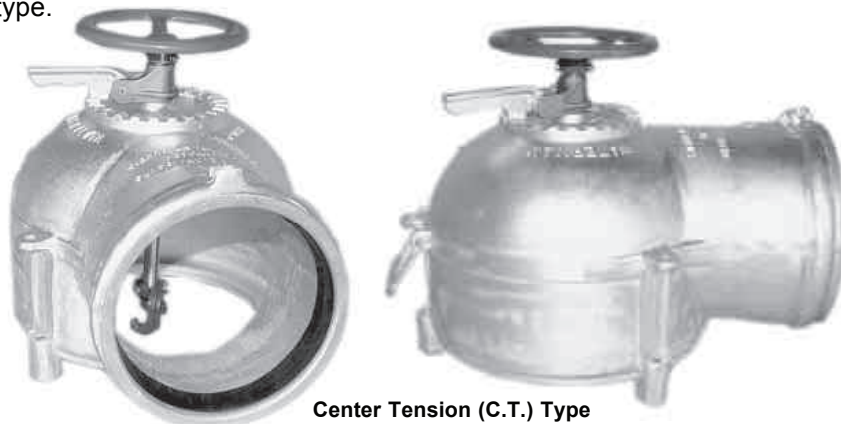
Specify whether for use with Red Top (concave) or Sunshine (convex) style valve covers for Center Tension (C.T.) type.



Combination
Center Tension-Outside Hook
Type Shown

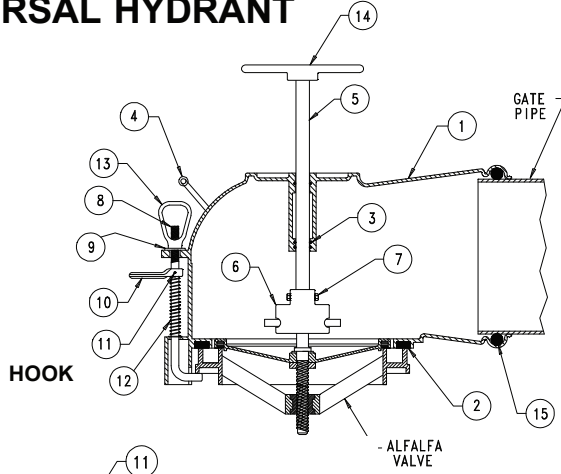


Side Hook Type

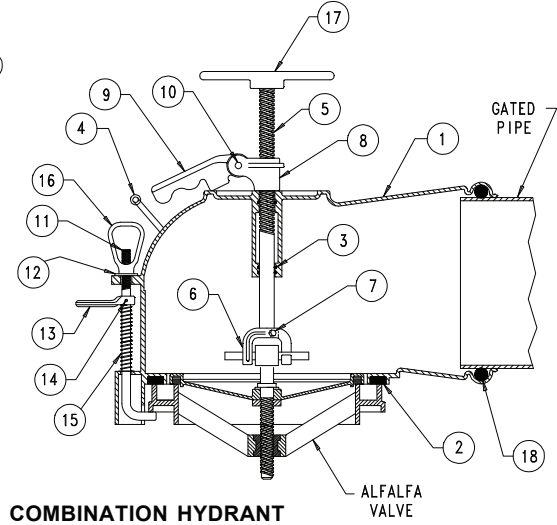
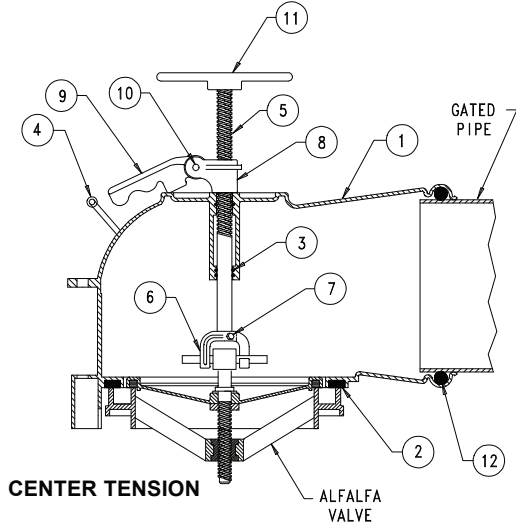


Center Tension (C.T.) Type

UNIVERSAL HYDRANT



PARTS LIST					
No.	Name	Qty.	No.	Name	Qty.
1	Body	1	9	Hook Washer	3
2	Body Gasket	1	10	Hook Handle	3
3	O-Ring	1	11	Hook Pin	3
4	Bail Handle	1	12	Hook Spring	3
5	Screw	1	13	Hook Stirrup Nut	3
6	Clutch	1	14	Handwheel	1
7	Clutch Bolt w/Nut	1	15	Adaptor Gasket	1
8	Hook Stem	3			



PARTS LIST					
No.	Name	Qty.	No.	Name	Qty.
1	Body	1	7	Clutch Bolt w/Nut	1
2	Bottom Gasket	1	8	Center Tension Lift Nut	1
3	O-Ring	1	9	Center Tension Lift Handle	1
4	Bail Handle	1	10	Center Tension Lift Pin	1
5	Screw	1	11	Handwheel	1
6	Clutch	1	12	Adaptor Gasket	1

PARTS LIST					
No.	Name	Qty.	No.	Name	Qty.
1	Body	1	10	Center Tension Lift Pin	1
2	Bottom Gasket	1	11	Hook Stem	3
3	O-Ring	1	12	Hook Washer	3
4	Bail Handle	1	13	Hook Handle	3
5	Screw	1	14	Hook Pin	3
6	Clutch	1	15	Hook Spring	3
7	Clutch Bolt w/Nut	1	16	Hook Stirrup Nut	3
8	Center Tension Lift Nut	1	17	Handwheel	1
9	Center Tension Lift Handle	1	18	Adaptor Gasket	1

UNIVERSAL HYDRANT PART INFORMATION

CENTER TENSION SCREW (BRASS)		
HYDRANT SIZE *	STEM LENGTH	THREAD LENGTH
8" SS	10 ³ / ₄ "	5 ¹ / ₄ "
8" RT	12 ¹ / ₄ "	6"
10" SS	12 ³ / ₄ "	7"
10" RT	14"	7"
12" SS	14"	7 ³ / ₄ "
12" RT	16"	7 ¹ / ₂ "
14" SS	16"	7 ¹ / ₂ "
14" RT	18"	8"

BOTTOM GASKETS & HOOK STEMS				
HYDRANT SIZE *	GASKET WIDTH	GASKET HEIGHT	GASKET I.D.	HOOK STEM LENGTH
6" N/S	1 ¹ / ₁₆ "	1/4"	8 ⁵ / ₈ "	8 ³ / ₄ "
8" N/S	3/4"	3/8"	10 ¹³ / ₁₆ "	9"
8" O/S	15 ⁷ / ₁₆ "	3/8"	10 ¹¹ / ₁₆ "	-
10" N/S	3/4"	3/8"	12 ¹ / ₂ "	9"
10" O/S	7/8"	3/8"	12 ¹ / ₂ "	-
12" N/S	1"	3/8"	14 ¹ / ₂ "	10"
12" O/S	1 ¹ / ₁₆ "	3/8"	14 ⁹ / ₁₆ "	11"
12" O/S Extra Long	-	-	-	12"
14" N/S	3/4" x 7/8"	3/8"	17 ¹ / ₂ "	-

SIDE HOOK SCREW (ALUMINUM)	
HYDRANT SIZE	LENGTH
6"	10"
8"	13 ¹ / ₂ "
10"	13 ¹ / ₂ "
12"	16"
14"	20"

* RT = Red Top
SS = Sunshine

* N/S = New Style
O/S = Old Style