



Drainage (Flap) Gate Questionnaire

The following questions will aid in obtaining the information needed for quotations and recommendations for FLAP GATES. Please consult your Waterman catalog for the options available for each model number.

1. For what application is the flap gate to be installed?

- gravity flow
- pump discharge

2. How is the gate being mounted?

- directly to a concrete headwall
- to a headwall using a wall thimble
- to corrugated metal pipe
- to reinforced concrete pipe
- to a pipe flange

3. If the gate is to be mounted to a pipe flange or wall thimble, what type of drill pattern is needed?

- Waterman standard
- 25 lb. ANSI drilling
- 125 lb. ANSI drilling

4. What type of seating material is desired?

- bronze (naval or low zinc)
- machined cast iron
- neoprene
- stainless steel

5. What shape of flap gate is needed?

- circular
- square
- rectangular

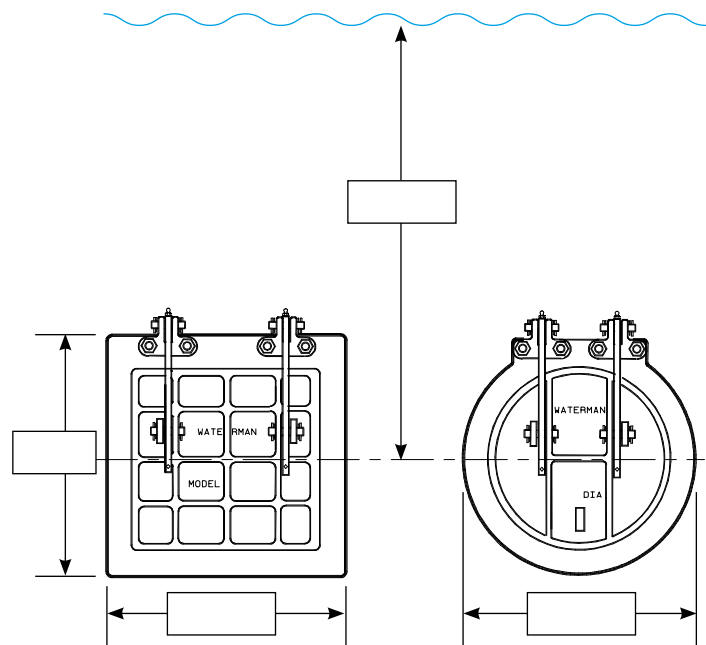
6. What materials are desired for the assembly hardware?

- galvanized steel
- 304 stainless steel
- 316 stainless steel
- bronze

7. What is the desired coating?

- standard shopcoat paint
- total galvanizing
- coal tar epoxy
- other - specify _____

8. Please provide dimensions and/or additional descriptions that may enable us to quote you with greater accuracy and faster turnaround.



Contact Information

Company: _____ Date: _____

Address: _____

City: _____ State: _____ Zip: _____

Name: _____ Title: _____

Phone: _____ Fax: _____